

FEATURES

- Cose coupled 2-piece high efficiency toilet (HET). Combination round front bowl and tank with seat, wax seal, hold-down bolts and 2 color-matched bolt caps.
- 12" (305mm) rough-in.
- Vitreous china.
- 1000 gram MaP flushing performance.
- High efficiency (1.28 gpf/4.8 Lpf).
- Gravity feed, siphon action bowl.
- 2 1/8" fully-glazed trapway.
- 3" diameter flush valve maximizes flow rate and water pressure to bowl.
- 17" comfort height. ADA compliant.
- Chrome trip lever.
- 5 Year Limited Residential Warranty / 1 Year Commercial Warranty
- Meets strict flushing performance criterion established by the EPA (Environmental Protection Agency) WaterSense program
- High efficiency toilets use at least 20% less water than standard 1.6 GPF toilets
- This product can help a building earn Water Efficiency points in the LEED Green Building Rating System™



**1000
gram
MaP**



TOILETS/LAVS

COLORS

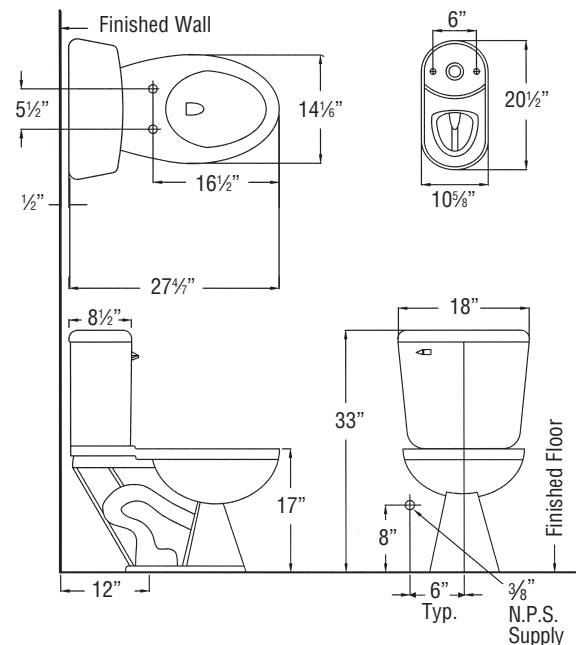
- White

Specified Model

MODEL NO.	DESCRIPTION	Length	Width	Height
COMPLETE TOILET KIT				
<input type="checkbox"/> TBTSI-1480	Round Front Bowl & Tank	27 1/4"	18"	33"

To Be Specified: Color

01 White



Compliance Certifications - Meets or Exceeds the Following Specifications

- ASME A112.19.2M-2008/CSA B45.1-2008
- UPC®, National Plumbing Code of Canada, IPC & IRC
- EPA Water Sense Tank-Type High Efficiency Toilet Specs



When installed with seat, top of seat is 17" to 19" (432 to 483 mm) from finished floor.
Meets the Americans with Disabilities Act guidelines and ANSI A117.1 requirements for accessible and usable building facilities- check local codes.

This toilet is designed to rough-in at a minimum dimension of 305mm (12") from finished wall to C/L of outlet. Supply not included with fixture and must be ordered separately.

Dimensions are nominal and are subject to change without prior notice. Dimension shown for location of supply is suggested. For additional information refer to installation instructions supplied.